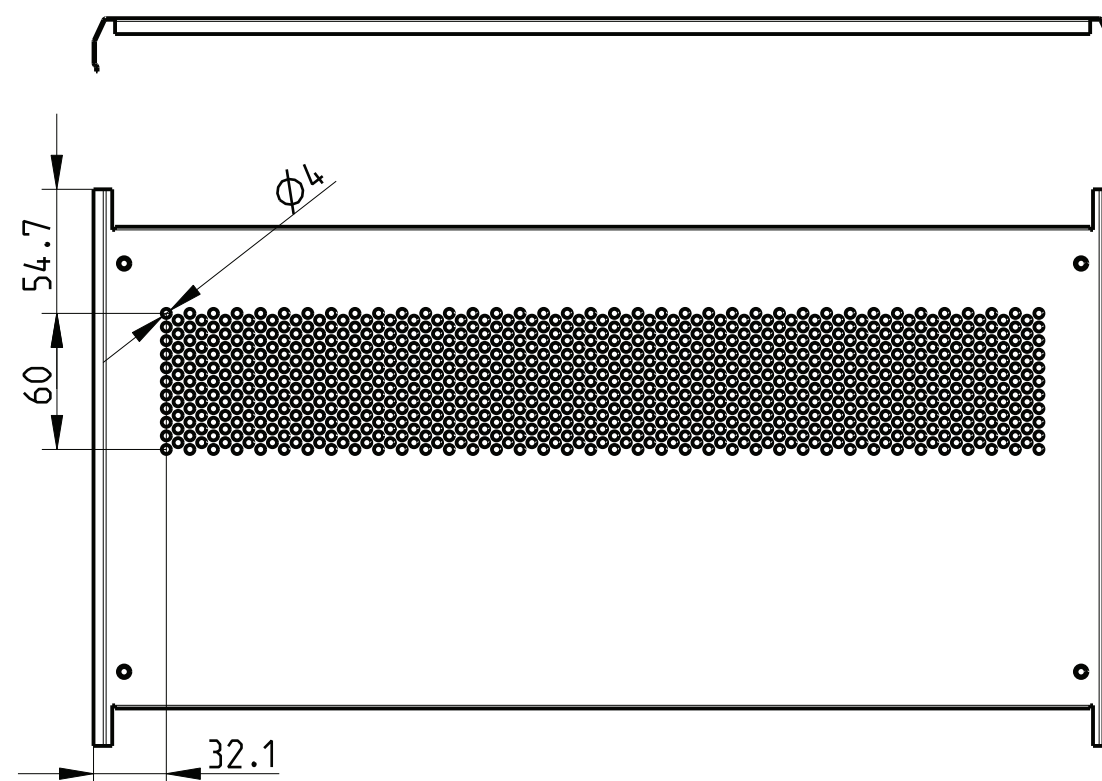
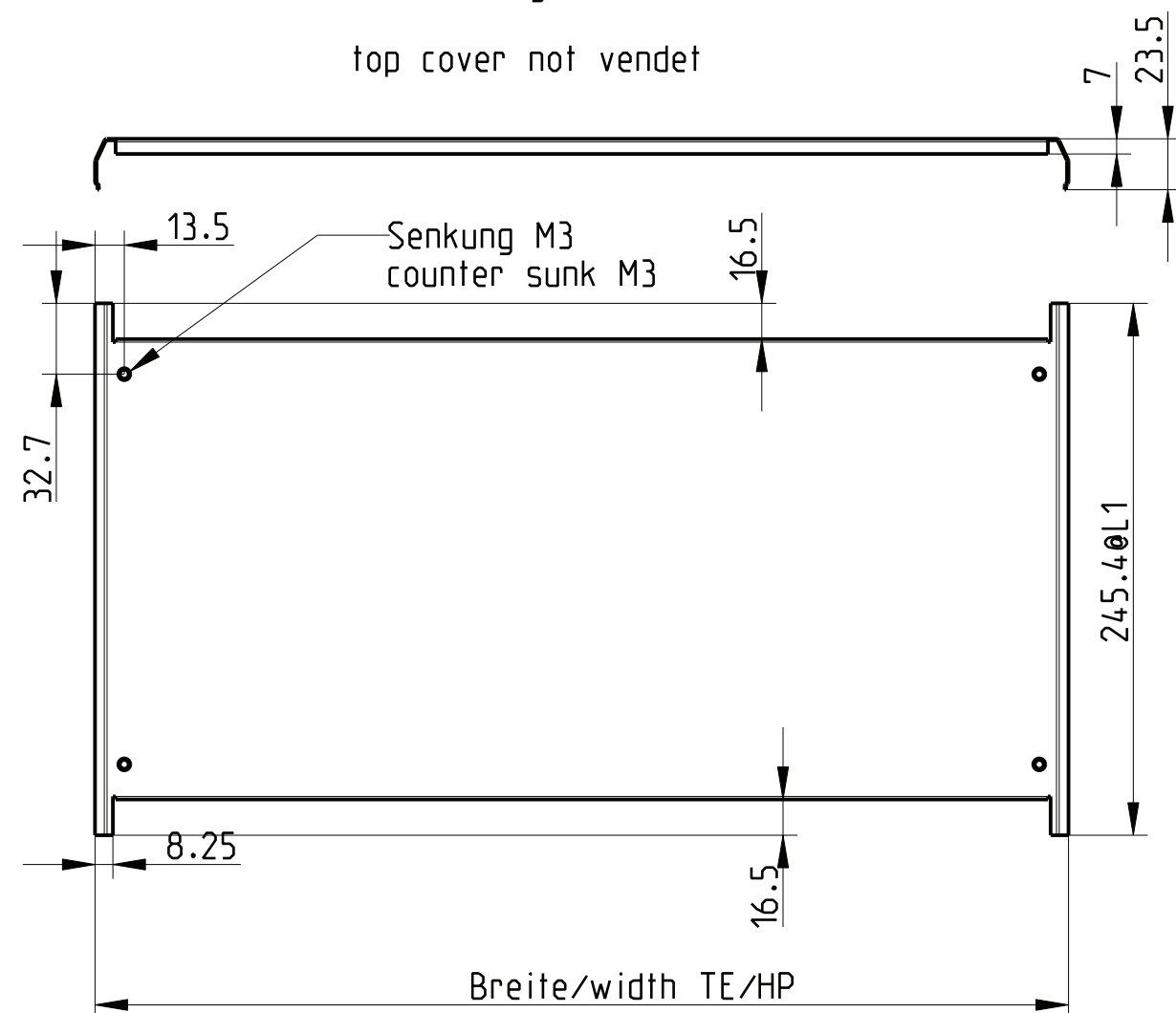


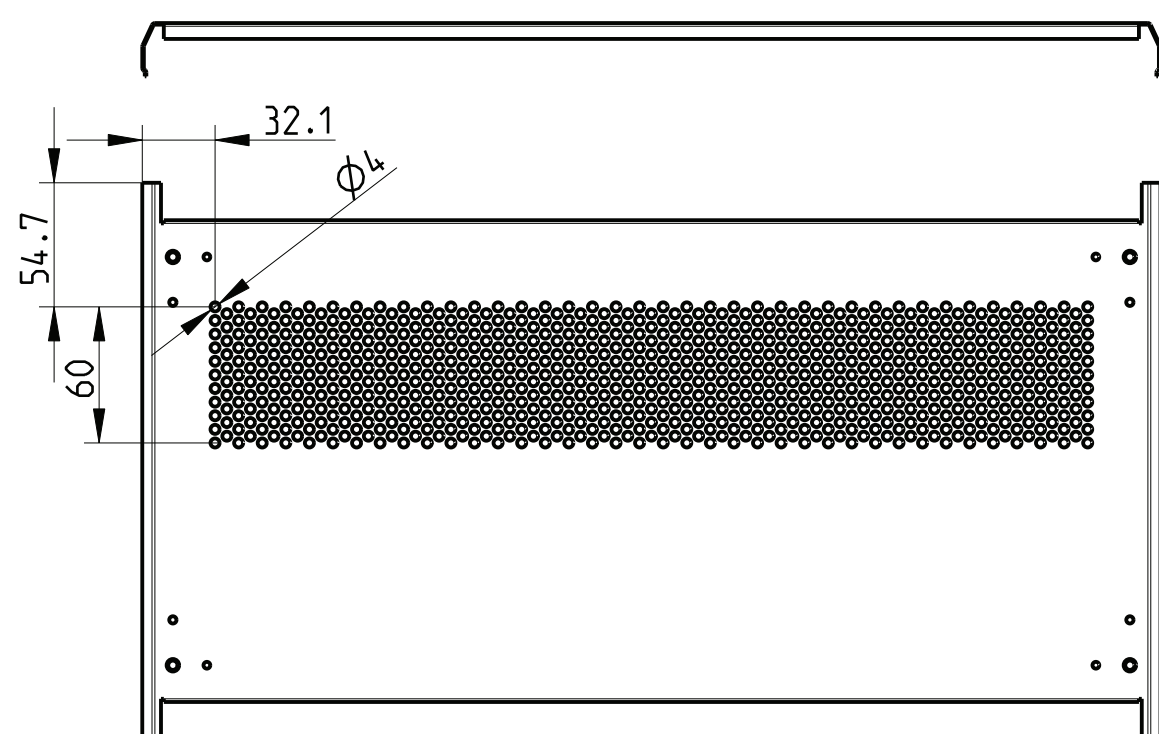
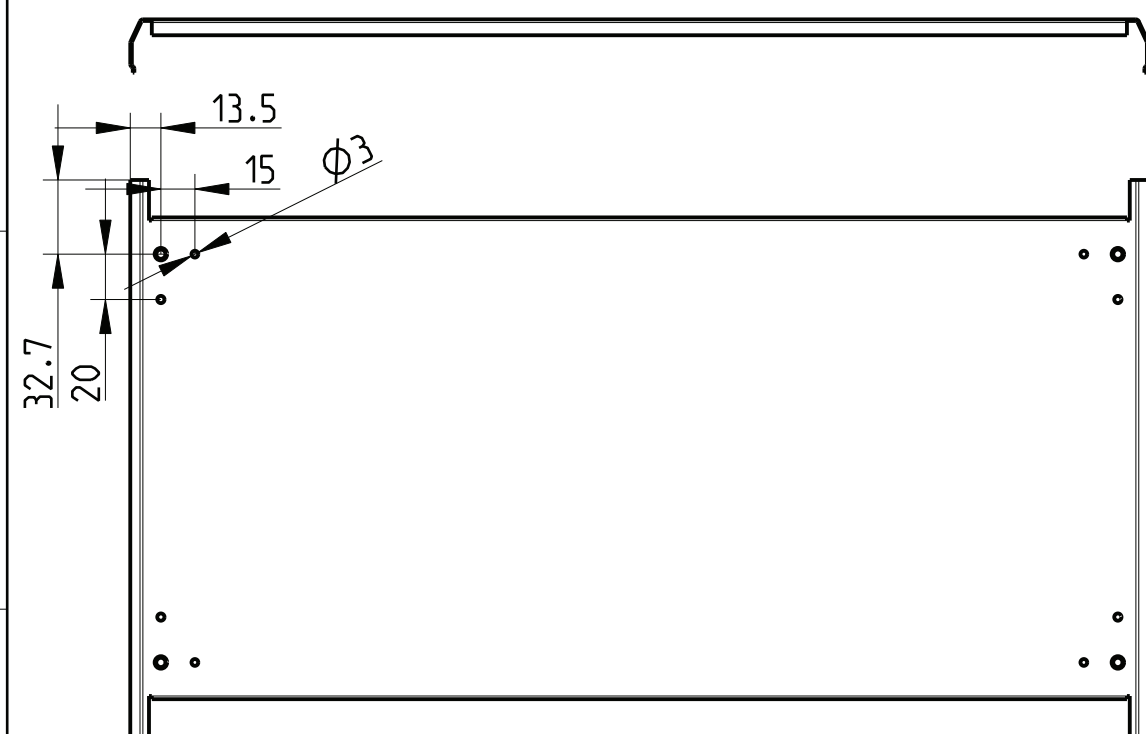
Deckblech geschlossen  
top cover not vendet

Deckblech bel üfttet  
top cover vendet



Bodenblech geschlossen  
bottom cover not vendet

Bodenblech bel üfttet  
bottom cover vendet



Deckbleche / top cover						
TE / HP	Breite/width mm	Tiefe/depth L1 mm	Artikel Nr. / part no.			
			Standard		EMV / EMC	
			bel üfttet vendet	geschlossen closed	bel üfttet vendet	geschlossen closed
42	235.6	245.4	3982.941	3982.901	3981.941	3981.901
42	235.6	305.4	3982.951	3982.911	3981.951	3981.911
63	342.3	245.4	3982.942	3982.902	3981.942	3981.902
63	342.3	305.4	3982.952	3982.912	3981.952	3981.912
84	449	245.4	3982.940	3982.900	3981.940	3981.900
84	449	305.4	3982.950	3982.910	3981.950	3981.910
84	449	365.4	3982.960	3982.920	3981.960	3981.920
84	449	425.4	3982.970	3982.930	3981.970	3981.930

Bodenbleche / bottom cover						
TE / HP	Breite/width mm	Tiefe/depth L1 mm	Artikel Nr. / part no.			
			Standard		EMV / EMC	
			bel üfttet vendet	geschlossen closed	bel üfttet vendet	geschlossen closed
42	235.6	245.4	3982.741	3982.701	3981.741	3981.701
42	235.6	305.4	3982.751	3982.711	3981.751	3981.711
63	342.3	245.4	3982.742	3982.702	3981.742	3981.702
63	342.3	305.4	3982.752	3982.712	3981.752	3981.712
84	449	245.4	3982.740	3982.700	3981.740	3981.700
84	449	305.4	3982.750	3982.710	3981.750	3981.710
84	449	365.4	3982.760	3982.720	3981.760	3981.720
84	449	425.4	3982.770	3982.730	3981.770	3981.730

Material Stahlblech  
Lackiert RAL 7035  
  
Material Sheet steel  
spray finished RAL 7035

- 1) Standardprodukt: alle weiteren Typen auf Anfrage  
Standard product: all other types on request
- 2) Technische Aenderungen vorbehalten  
Subject to change without notice

Dieses Bauteil unterliegt den Reglementierungen der RoHS Richtlinie und deren Umsetzung im ElektroG.

This component is subject to the RoHS directive and its applications within the Electrical and Electronic Equipment Act (ElektroG).

Toleranzen tolerances DIN ISO 2768 mK		Oberfläche surface ---		Maßstab/scale 1:2	
Date	09.04.14	HEITEC		VMRP Deck / Bodenbleche VMRP top / bottom cover	
Name	Kör.				
Prf.					
Rev.	Rev no.	Date	Name	HT0098900MR52	
				1	Blätter sheets
				1	Blatt sheet

The reproduction, distribution and utilization of this document as well as the communication of its contents to others without explicit authorization is prohibited. In the event of the grant of a patent, utility model or design, all rights reserved in the event of the grant of a patent, utility model or design.

CAD